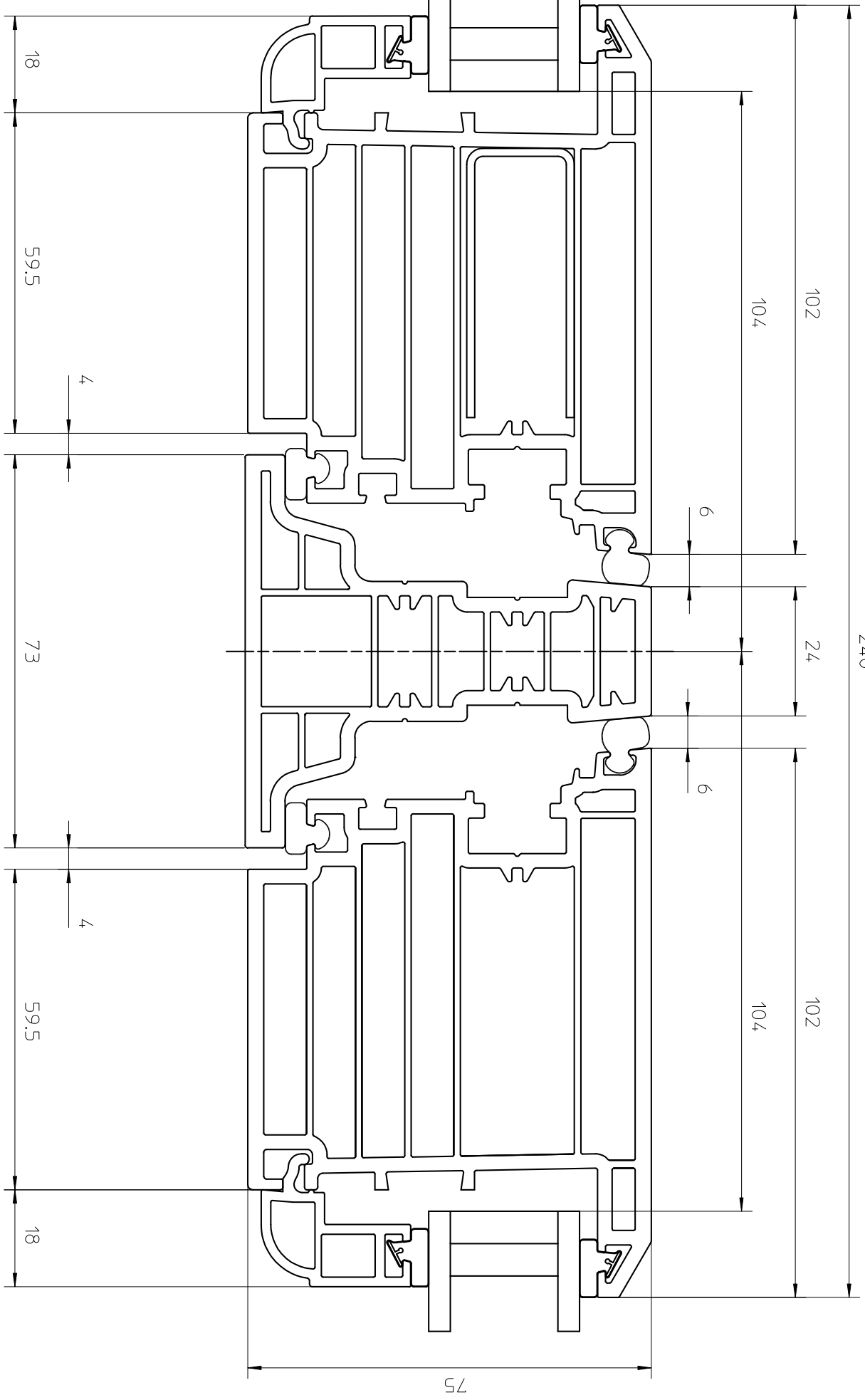
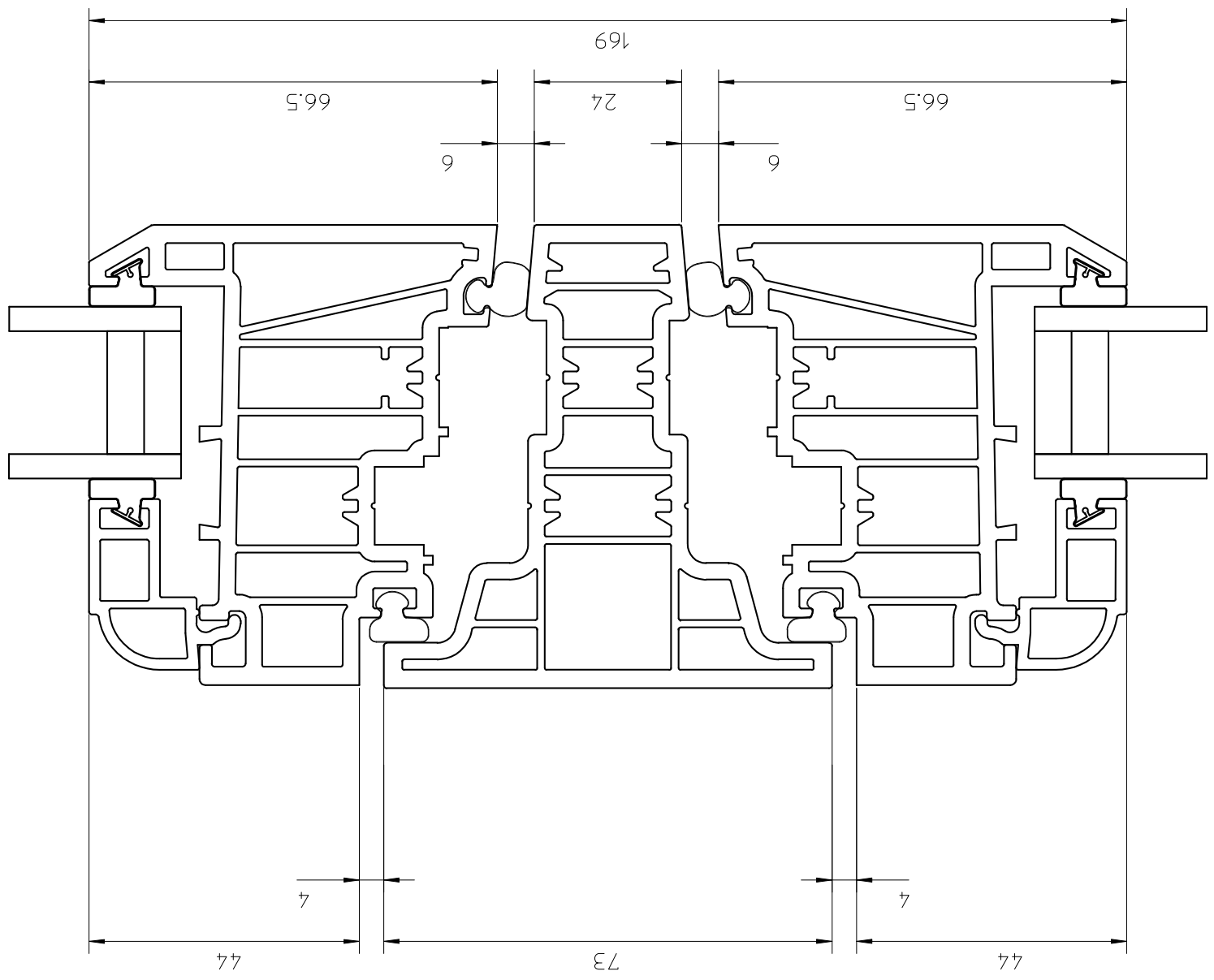
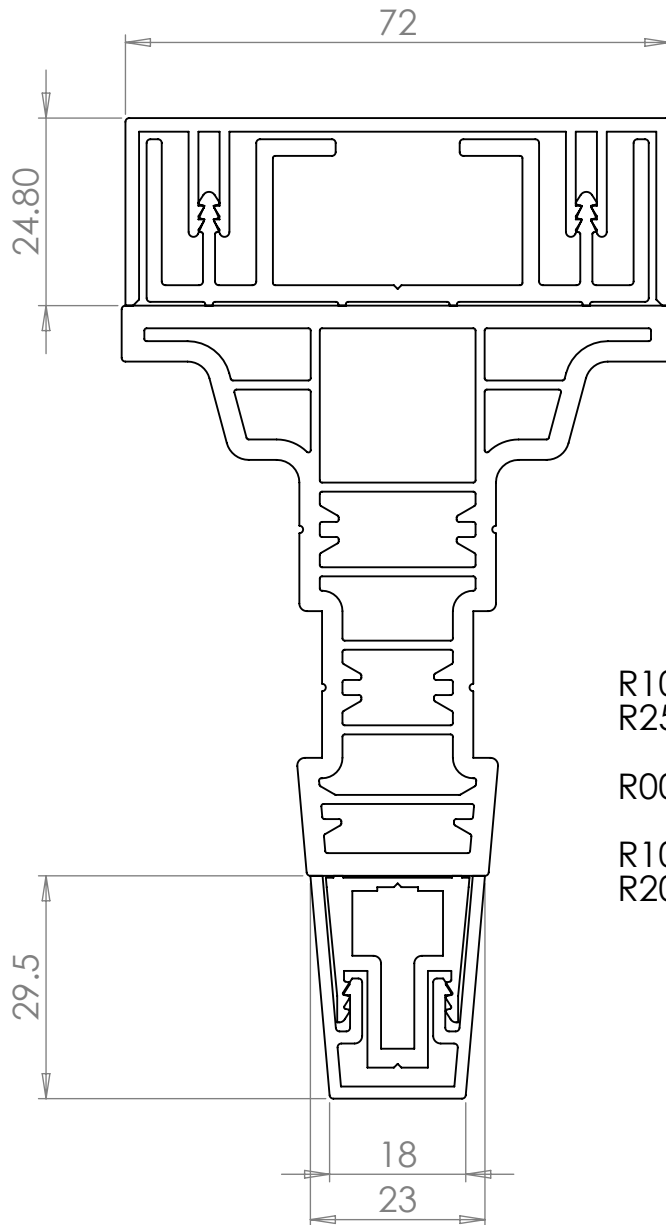


R001M Mullion
R003FD Sash





R001M Mullion
R003 Sash



R105 INTERNAL STIFFENER
R255 INTERNAL TRIM

R001M MULLION

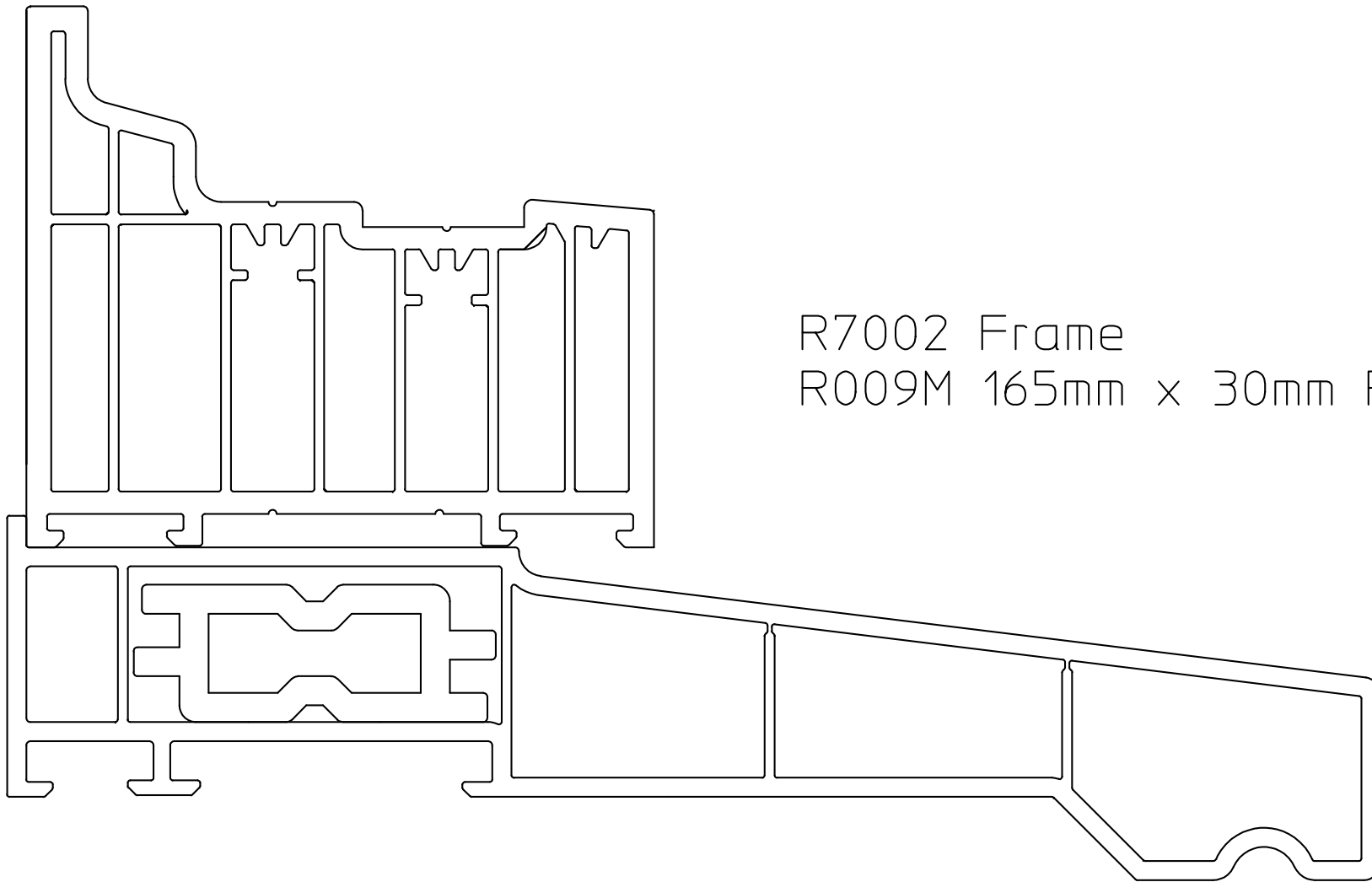
R104 EXTERNAL STIFFENER
R203 EXTERNAL TRIM

USE TRANSOM/MULLION STIFFENERS TO REINFORCE ON LARGE DESIGNS/EXPOSED LOCATIONS/DARK COLOURS/SUNNY ELEVATIONS.

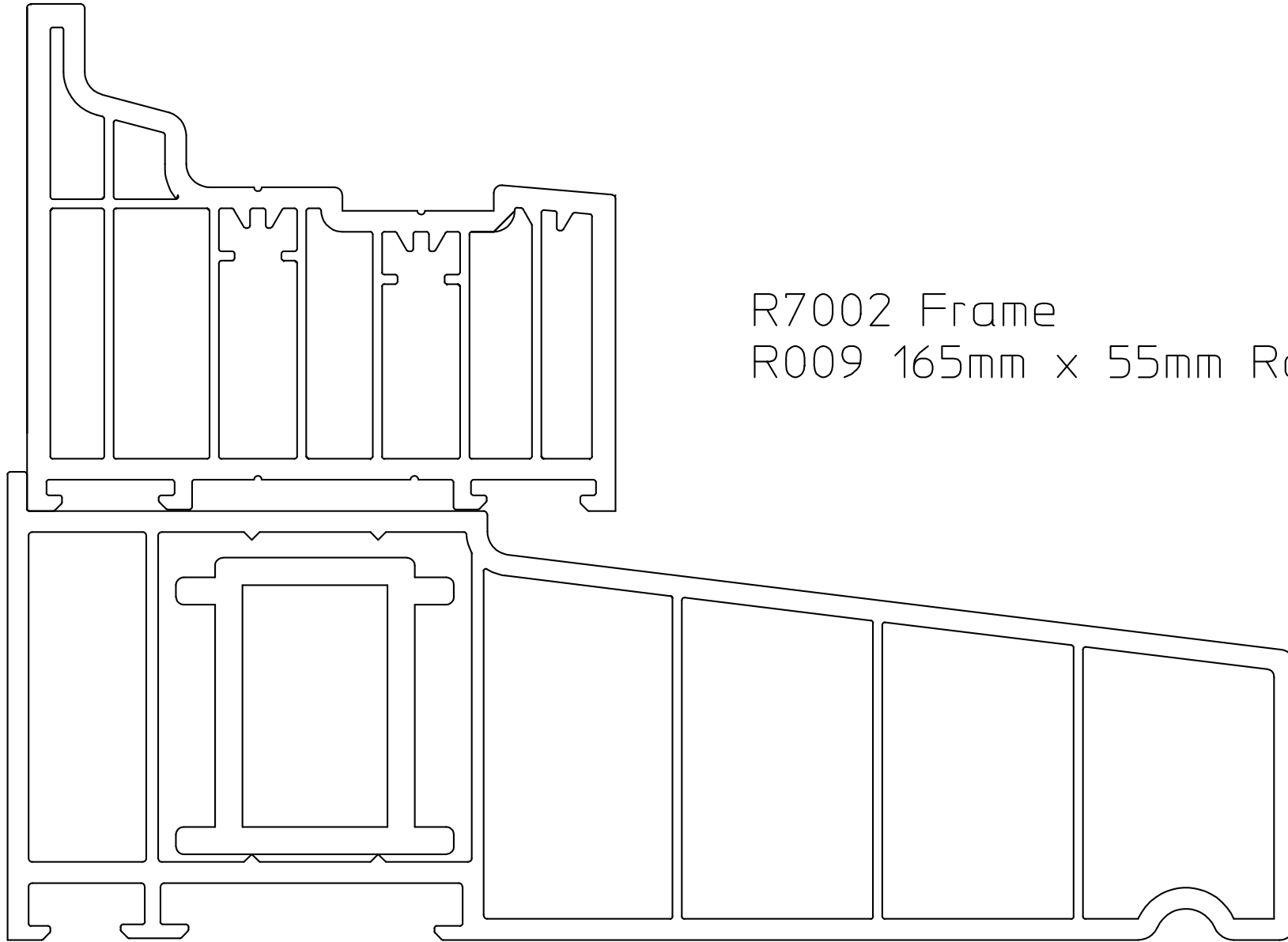
USE EXTERNAL STIFFENER ON TRANSOMS AS A WEATHER BAR.

USE INTERNAL STIFFENER TO MATCH MULLION SIGHTLINES TO RESIDENCE 2 FRAME.
SEE 'Site Wind Load and Required Mullion Stiffeners, Couplers' SPREADSHEET FOR REQUIREMENTS.

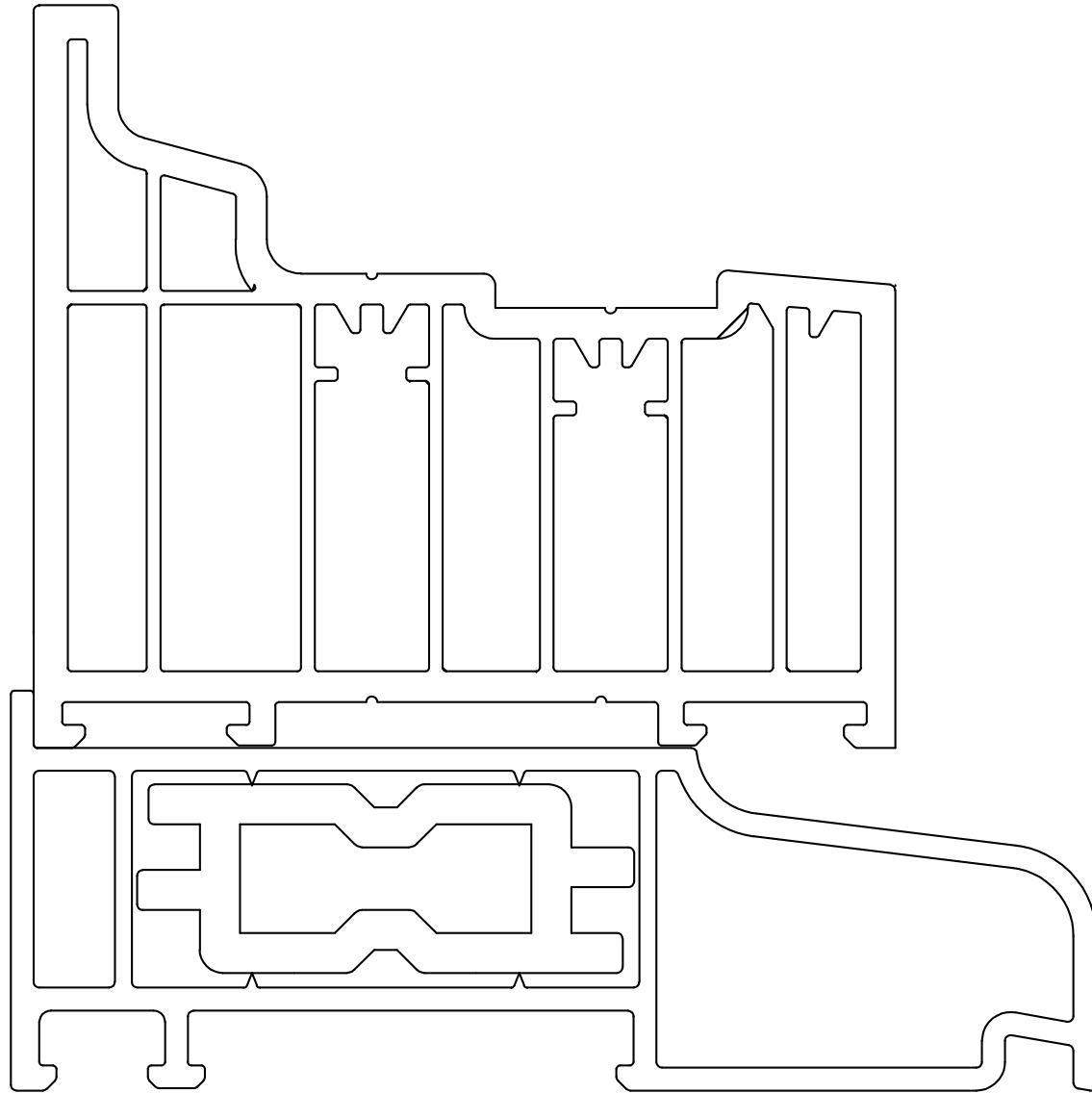
FIX AT MAX. 250mm CENTRES, MIN. 3 FIXINGS PER LENGTH, MAX. 60MM FROM BOTH ENDS FOR INFORMATION ON CORRECT FIXINGS REFER TO PAGE 19 OF FIXING MANUAL.



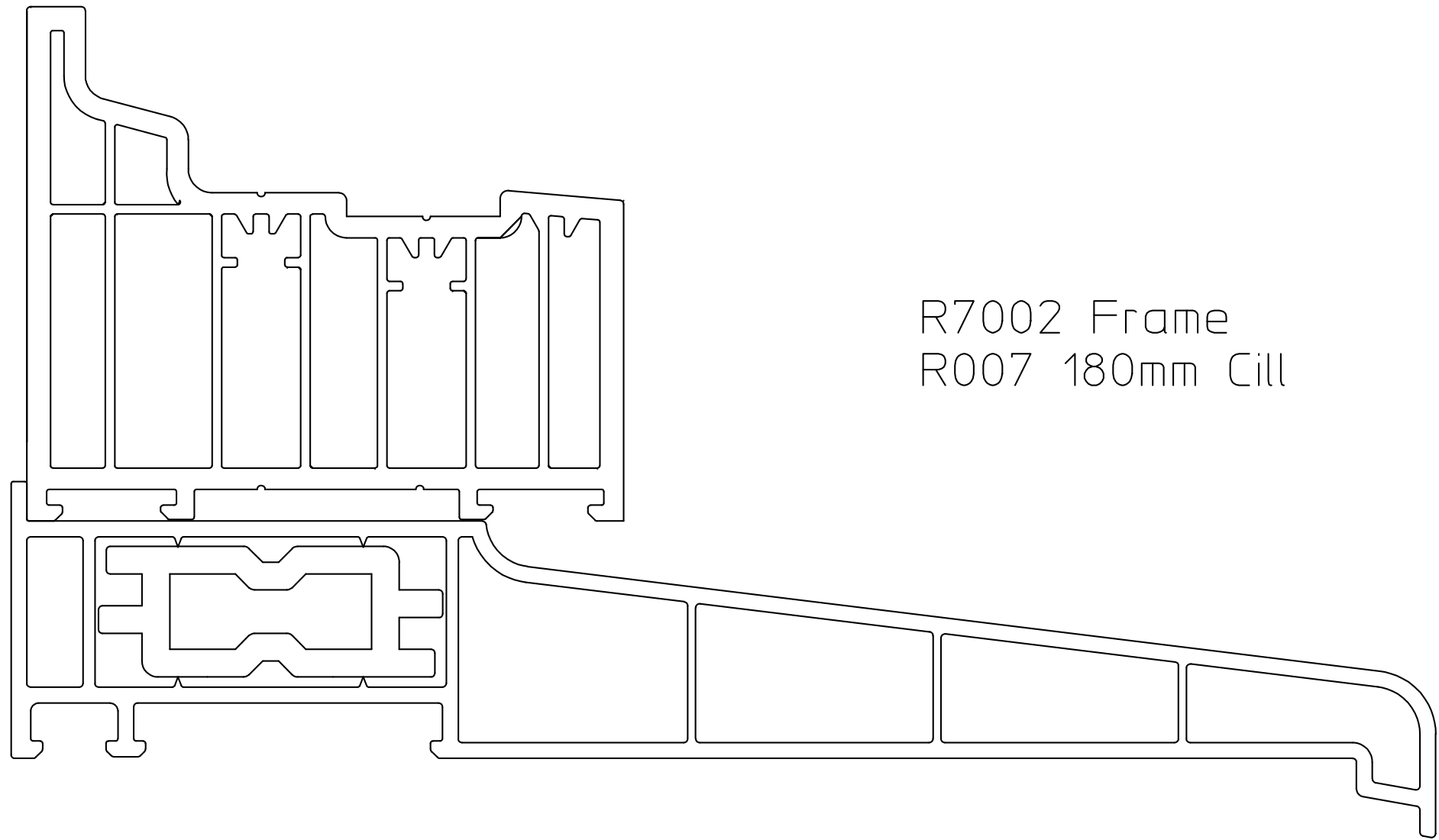
R7002 Frame
R009M 165mm x 30mm Radlington



R7002 Frame
R009 165mm x 55mm Radlington



R7002 Frame
R008 95mm Cill



R7002 Frame
R007 180mm Cill

RESIDENCE 7

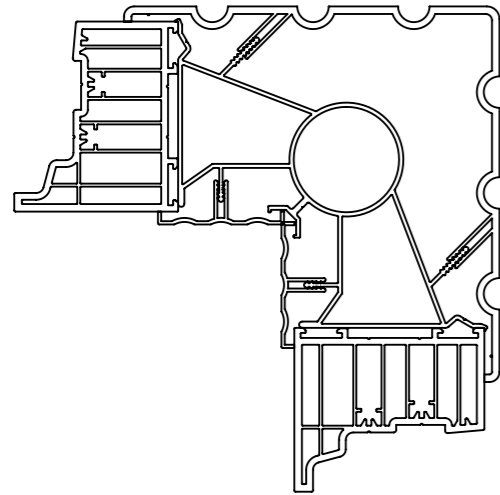
		INSIDE COLOUR									
		Grained White	Clotted Cream	English Oak	Irish Oak	Golden Oak	Rosewood	Eclectic Grey	Vintage Cream (unfoiled)	Chalk White (unfoiled)	No.38 Grey (unfoiled)
OUTSIDE COLOUR	Grained White										
	Clotted Cream										
	Cotswold Green										
	Painswick										
	English Oak										
	Irish Oak										
	Golden Oak										
	Rosewood										
	Eclectic Grey										
	No. 10 Black										
	Corse Lawn										
	Vintage Cream (unfoiled)										
	Chalk White (unfoiled)										
	No. 38 Grey (unfoiled)										

This shows the colour options available for R7 windows and open-out doors only.

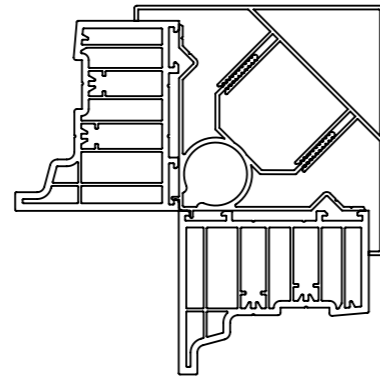
Please be aware that all of the systems in The Residence Collection, other than Residence 9, are not foiled on the rebate.

The print process may not give a 100% accurate colour representation of the actual finish. Furthermore, the finishes have different textured grains. For this reason it is recommended to visit a Residence Collection showroom to see actual swatches of the finishes available.

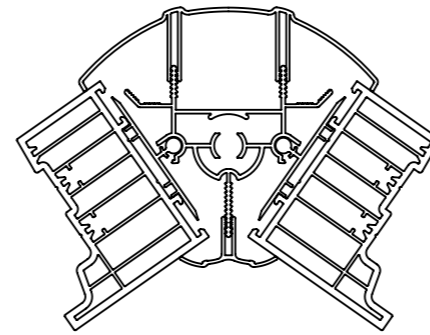
COUPLER: R7108
FRAME ADAPTER: N/A
INTERNAL TRIM: PILDT X 2
EXTERNAL TRIM: VS90
ANGLE: 90°



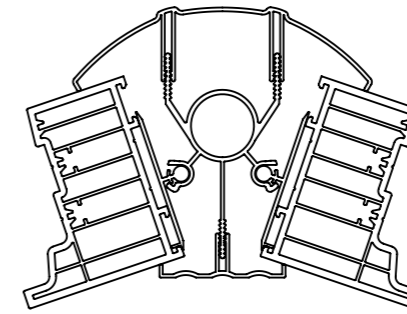
COUPLER: R78108
FRAME ADAPTER: N/A
INTERNAL TRIM: N/A
EXTERNAL TRIM: 90SQ
ANGLE: 90°



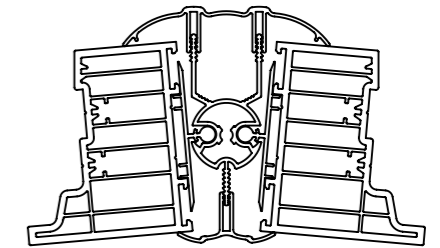
COUPLER: WWL121
FRAME ADAPTER: 482104
INTERNAL TRIM: DBI
EXTERNAL TRIM: DBO120
ANGLE: 90° - 125°



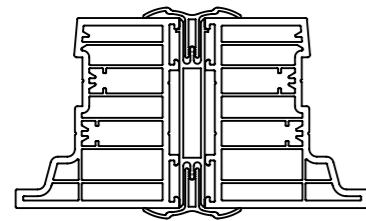
COUPLER: R7109
FRAME ADAPTER: 482028
INTERNAL TRIM: PILDT
EXTERNAL TRIM: DBO120
ANGLE: 120° - 165°



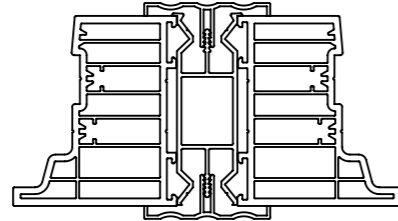
COUPLER: 482055
FRAME ADAPTER: 482104
INTERNAL TRIM: DBI
EXTERNAL TRIM: DBO
ANGLE: 160° - 180°



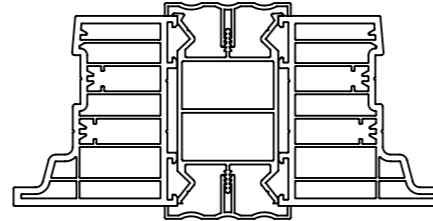
COUPLER: R7120
INTERNAL TRIM: DBI
EXTERNAL TRIM: DBI
SIZE: 10mm



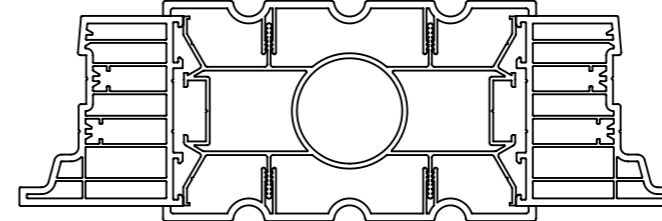
COUPLER: R7107
INTERNAL TRIM: PILDT
EXTERNAL TRIM: PILDT
SIZE: 24mm



COUPLER: R7121
INTERNAL TRIM: PILDT
EXTERNAL TRIM: PILDT
SIZE: 40mm

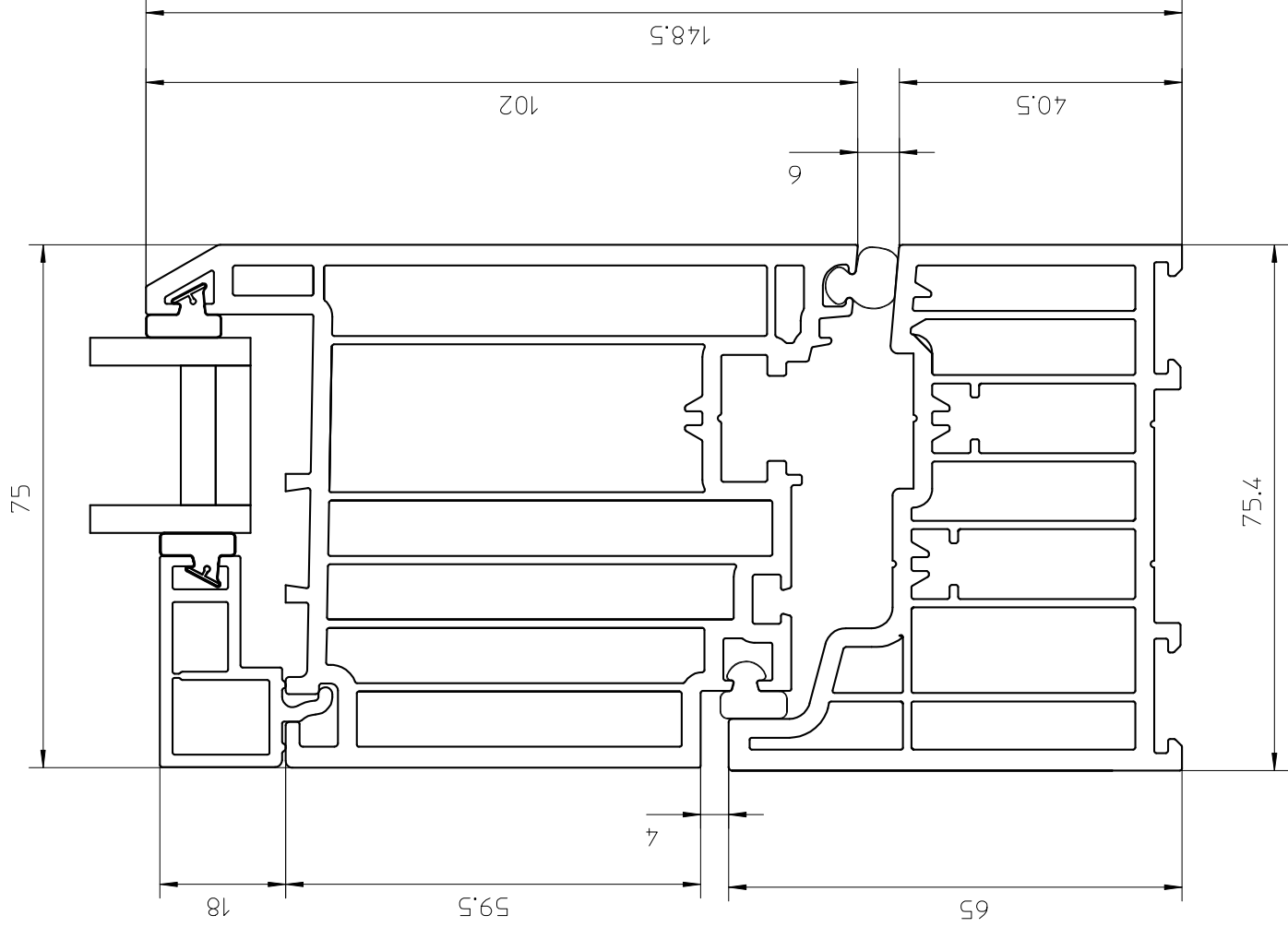


COUPLER: R78115
INTERNAL TRIM: CPILDT
EXTERNAL TRIM: CPILDT
SIZE: 132mm

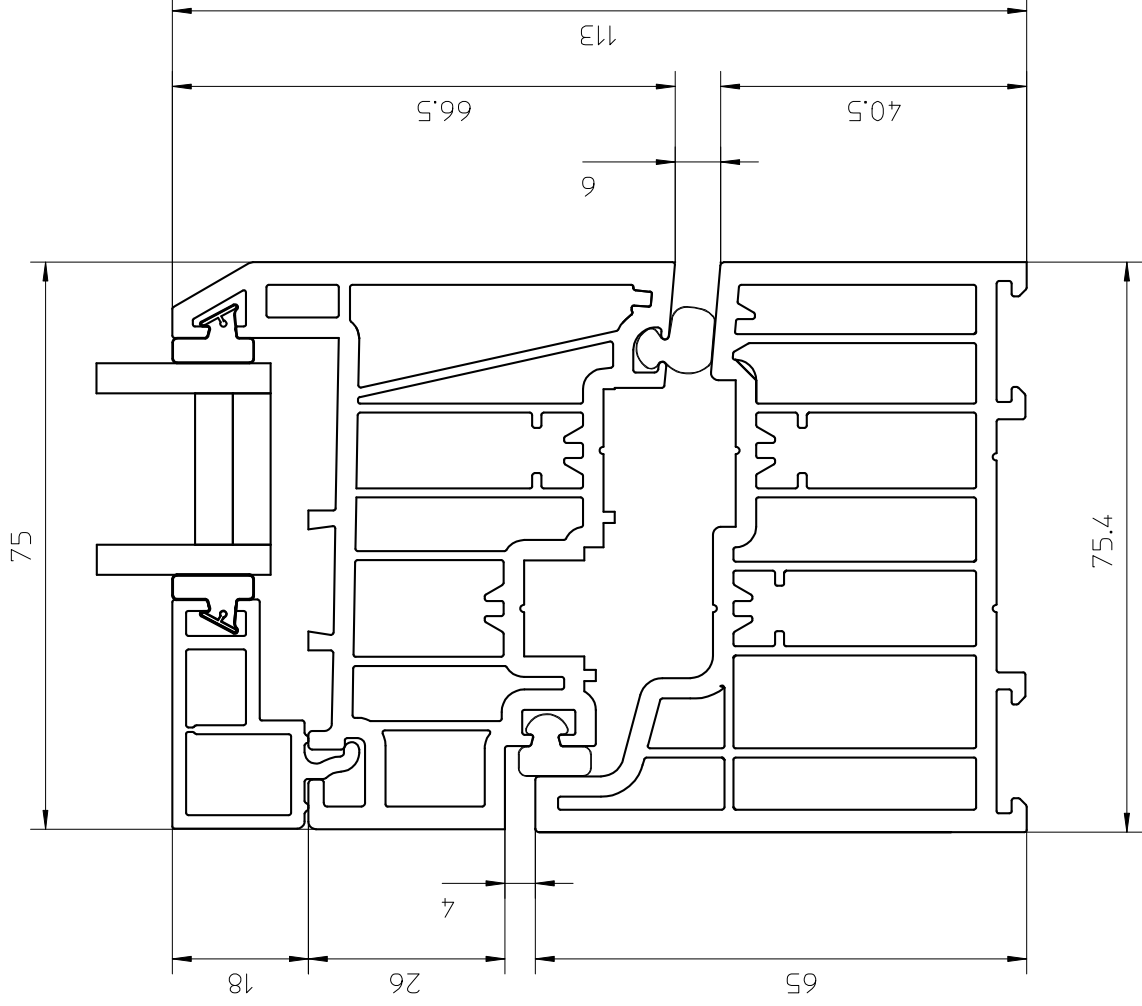


FOR DEDUCTIONS, JACKS AND COUPLER RESTRICTIONS SEE
RESIDENCE COLLECTION COUPLING SPREADSHEET

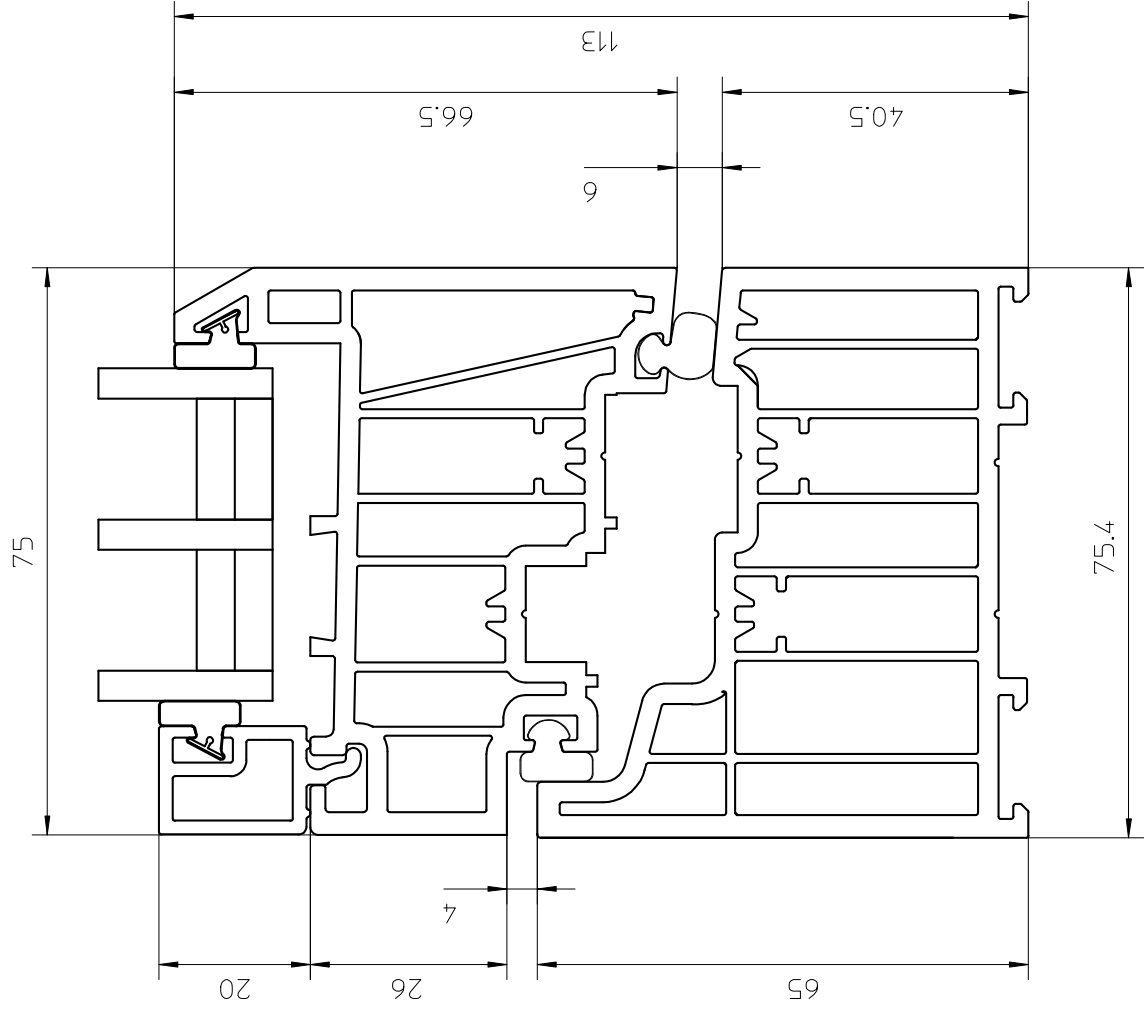
	NAME	SIGNATURE	DATE	DEBURR AND BREAK SHARP EDGES
DRAWN	JACOB PARKINSON		21/11/16	UNLESS OTHERWISE SPECIFIED:
CHK'D				DIMENSIONS: (mm)
APP'VD				SURFACE FINISH: NATURAL
				TOLERANCES: +/- ...
DO NOT SCALE DRAWING			REVISION: A	
RESIDENCE COLLECTION				
TITLE: FRAME COUPLING				
DWG NO. RESIDENCE 7			A3	
			DW3	
SCALE:1:3			SHEET 1 OF 4	



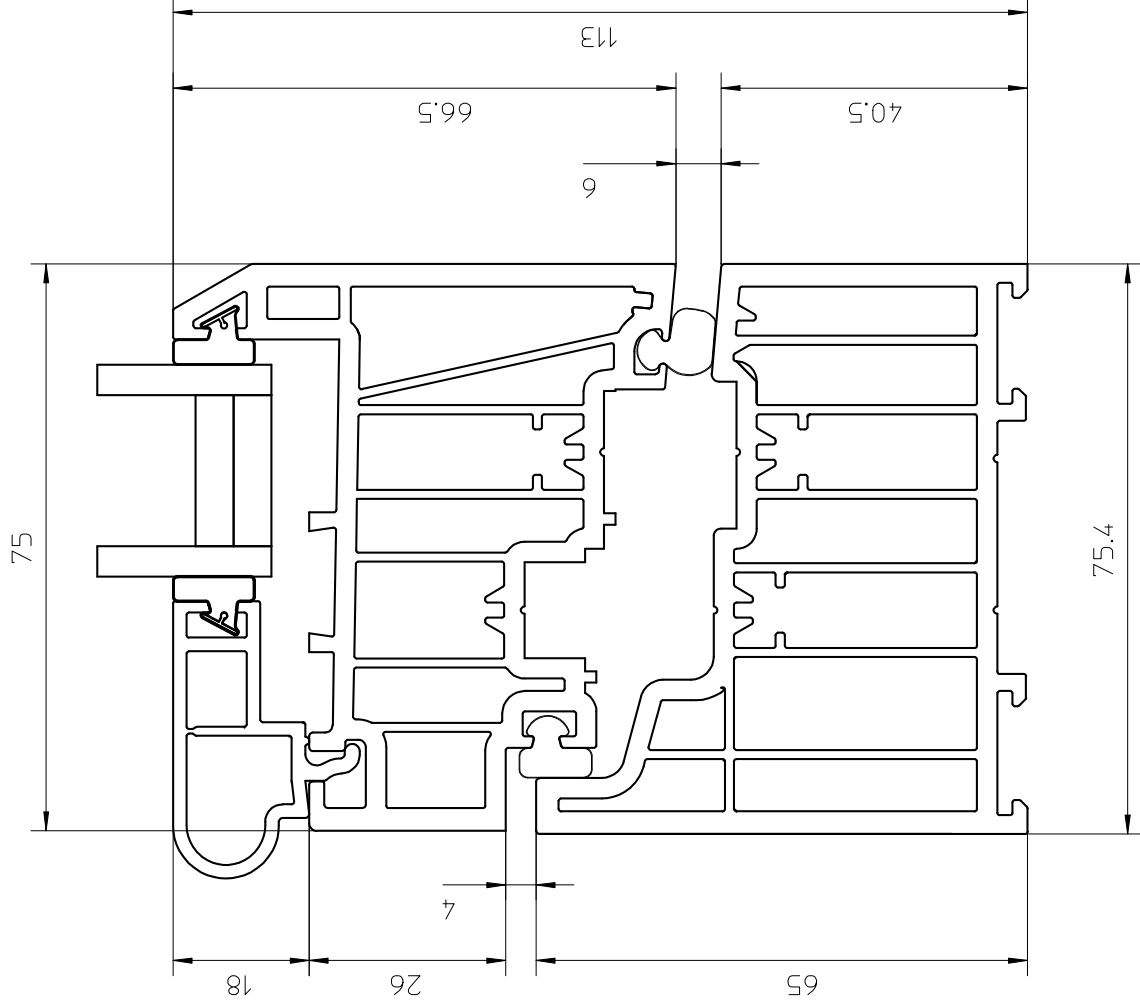
R7002 Frame
 R003FD Sash
 R004SQ 28mm Bead



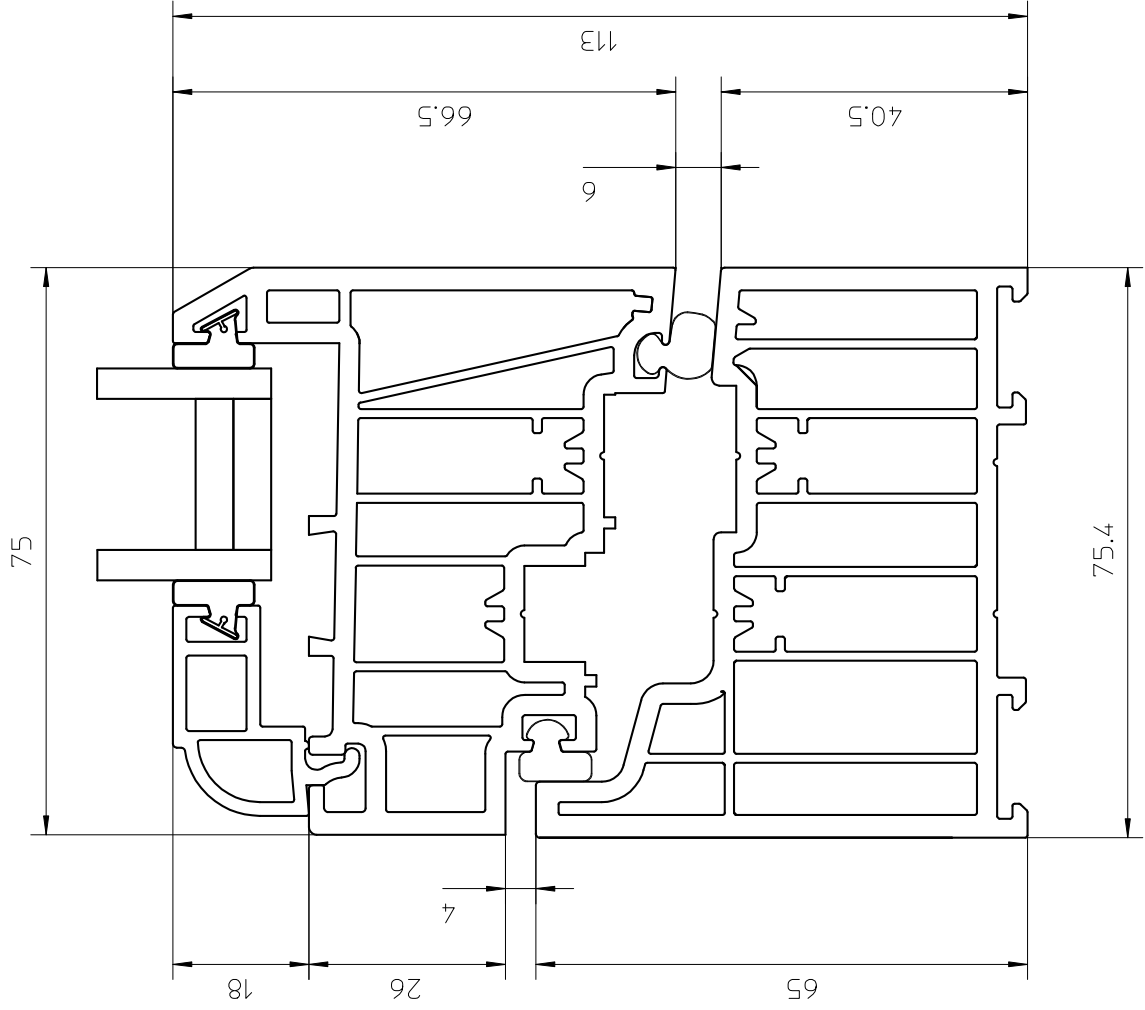
R7002 Frame
 R003 Sash
 R004SQ 28mm Bead



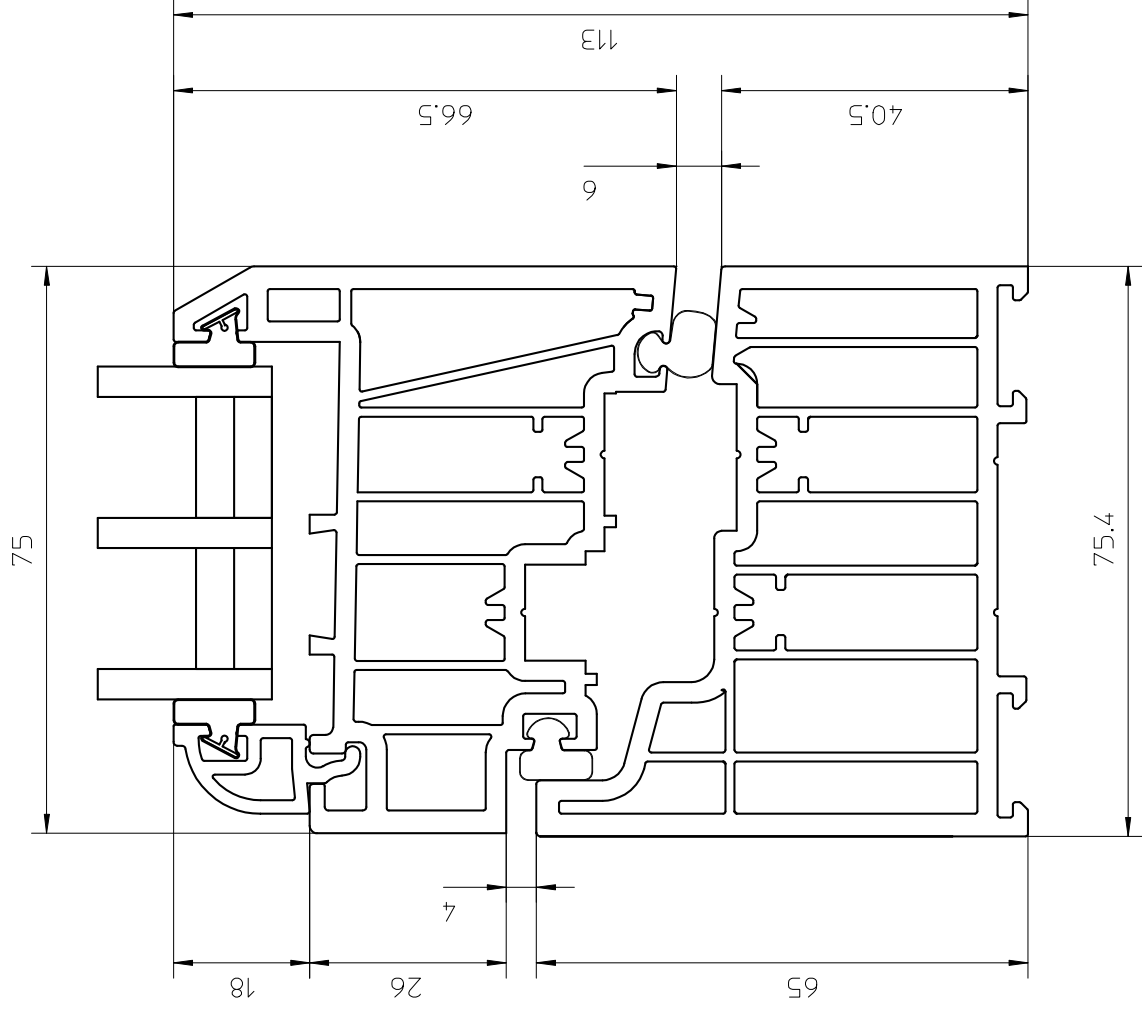
R7002 Frame
 R003 Sash
 R005SQ 28mm Bead



R7002 Frame
 R003 Sash
 R004S 28mm Bead

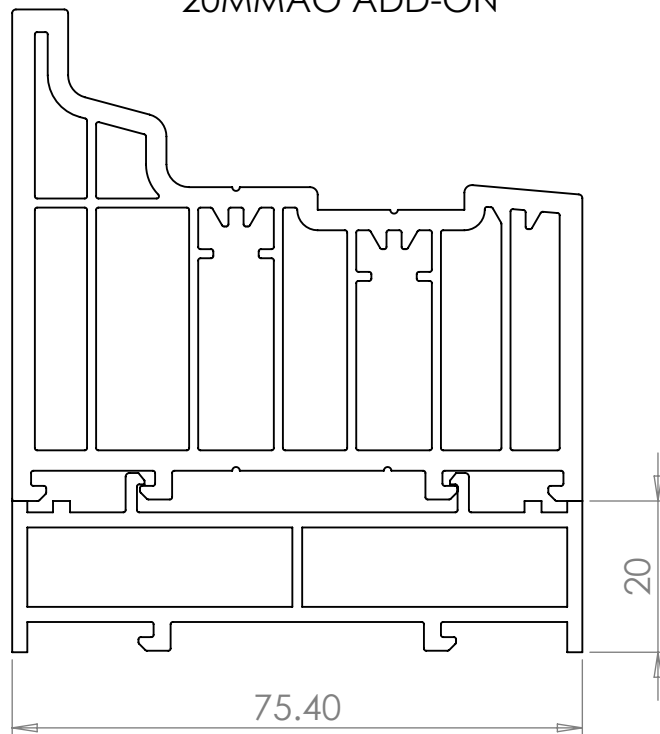


R7002 Frame
 R003 Sash
 R004 28mm Bead



- R7002 Frame
- R003 Sash
- R005 28mm Bead

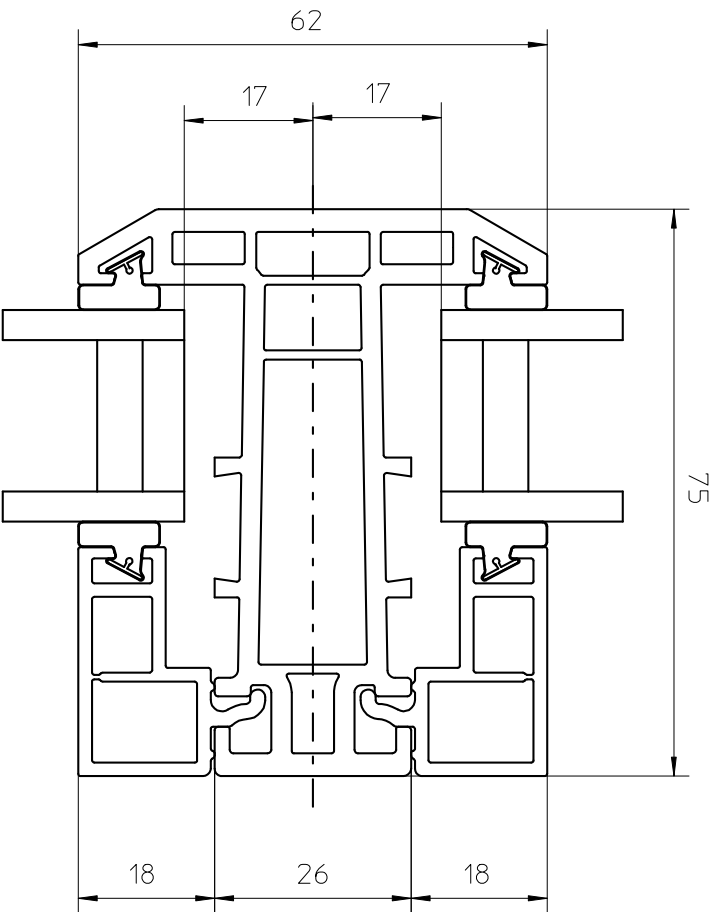
R7002 RESIDENCE 7 FRAME
20MMAO ADD-ON



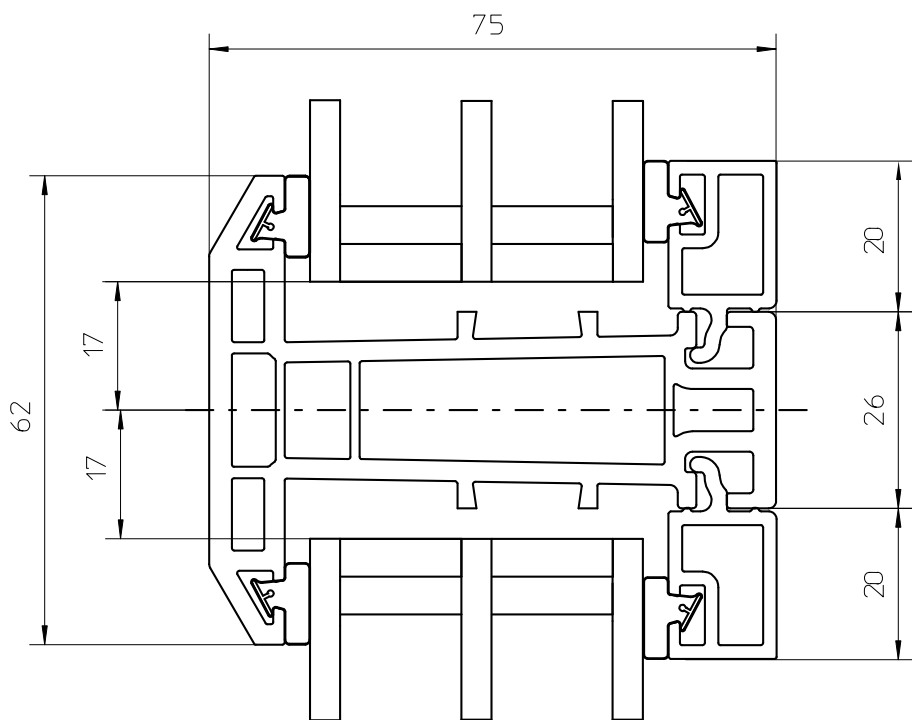
Frame	Coupler	Frame adapter	Angle (°)	Deduction (mm)	Reverse angle deduction (mm)	Internal trim	External trim	Note	Jack	Jack hole center
R7002	R78108	N/A	90	0	75.3	N/A	90SQ		D-WWL142	21
R7002	R7108	N/A	90	46.1	121.51	PILDT X2	VS90		D-VS	29
R7002	WWL121	482104	90	2.3	77.7	Installer specification	DBO120	Glue internal trim in place	C	31
R7002	WWL121	482104	91	2.7	76.8	Installer specification	DBO120	Glue internal trim in place	C	31
R7002	WWL121	482104	92	3.1	75.9	Installer specification	DBO120	Glue internal trim in place	C	31
R7002	WWL121	482104	93	3.5	75	Installer specification	DBO120	Glue internal trim in place	C	31
R7002	WWL121	482104	94	3.8	74.2	DBI	DBO120		C	31
R7002	WWL121	482104	95	4.2	73.3	DBI	DBO120		C	31
R7002	WWL121	482104	96	4.6	72.5	DBI	DBO120		C	31
R7002	WWL121	482104	97	4.9	71.7	DBI	DBO120		C	31
R7002	WWL121	482104	98	5.3	70.9	DBI	DBO120		C	31
R7002	WWL121	482104	99	5.7	70.1	DBI	DBO120		C	31
R7002	WWL121	482104	100	6	69.3	DBI	DBO120		C	31
R7002	WWL121	482104	101	6.4	68.5	DBI	DBO120		C	31
R7002	WWL121	482104	102	6.7	67.8	DBI	DBO120		C	31
R7002	WWL121	482104	103	7.1	67	DBI	DBO120		C	31
R7002	WWL121	482104	104	7.4	66.3	DBI	DBO120		C	31
R7002	WWL121	482104	105	7.7	65.6	DBI	DBO120		C	31
R7002	WWL121	482104	106	8.1	64.9	DBI	DBO120		C	31
R7002	WWL121	482104	107	8.4	64.2	DBI	DBO120		C	31
R7002	WWL121	482104	108	8.8	63.5	DBI	DBO120		C	31
R7002	WWL121	482104	109	9.1	62.9	DBI	DBO120		C	31
R7002	WWL121	482104	110	9.4	62.2	DBI	DBO120		C	31
R7002	WWL121	482104	111	9.7	61.6	DBI	DBO120		C	31
R7002	WWL121	482104	112	10.1	60.9	DBI	DBO120		C	31
R7002	WWL121	482104	113	10.4	60.3	DBI	DBO120		C	31
R7002	WWL121	482104	114	10.7	59.7	DBI	DBO120		C	31
R7002	WWL121	482104	115	11	59.1	DBI	DBO120		C	31
R7002	WWL121	482104	116	11.3	58.5	DBI	DBO120		C	31
R7002	WWL121	482104	117	11.7	57.9	DBI	DBO120		C	31
R7002	WWL121	482104	118	12	57.3	DBI	DBO120		C	31
R7002	WWL121	482104	119	12.3	56.7	DBI	DBO120		C	31
R7002	WWL121	482104	120	12.6	56.1	DBI	DBO120		C	31
R7002	WWL121	482104	121	12.9	55.6	DBI	DBO120		C	31
R7002	WWL121	482104	122	13.2	55	DBI	DBO120		C	31
R7002	WWL121	482104	123	13.5	54.5	DBI	DBO120		C	31
R7002	WWL121	482104	124	13.8	53.9	DBI	DBO120		C	31
R7002	WWL121	482104	125	14.2	53.4	DBI	DBO120		C	31
R7002	R7109	482028	120	10	53.5	PILDT	DBO120		D-WWL142	47
R7002	R7109	482028	121	10.3	52.9	PILDT	DBO120		D-WWL142	47
R7002	R7109	482028	122	10.5	52.3	PILDT	DBO120		D-WWL142	47
R7002	R7109	482028	123	10.8	51.7	PILDT	DBO120		D-WWL142	47
R7002	R7109	482028	124	11.1	51.2	PILDT	DBO120		D-WWL142	47
R7002	R7109	482028	125	11.3	50.6	PILDT	DBO120		D-WWL142	47
R7002	R7109	482028	126	11.6	50	PILDT	DBO120		D-WWL142	47
R7002	R7109	482028	127	11.9	49.4	PILDT	DBO120		D-WWL142	47
R7002	R7109	482028	128	12.1	48.9	PILDT	DBO120		D-WWL142	47
R7002	R7109	482028	129	12.4	48.3	PILDT	DBO120		D-WWL142	47
R7002	R7109	482028	130	12.6	47.8	PILDT	DBO120		D-WWL142	47
R7002	R7109	482028	131	12.9	47.3	PILDT	DBO120		D-WWL142	47
R7002	R7109	482028	132	13.1	46.7	PILDT	DBO120		D-WWL142	47

Frame	Coupler	Frame adapter	Angle (°)	Deduction (mm)	Reverse angle deduction (mm)	Internal trim	External trim	Note	Jack	Jack hole center
R7002	R7109	482028	133	13.4	46.2	PILDT	DBO120		D-WWL142	47
R7002	R7109	482028	134	13.7	45.7	PILDT	DBO120		D-WWL142	47
R7002	R7109	482028	135	13.9	45.2	PILDT	DBO120		D-WWL142	47
R7002	R7109	482028	136	14.2	44.6	PILDT	DBO120		D-WWL142	47
R7002	R7109	482028	137	14.4	44.1	PILDT	DBO120		D-WWL142	47
R7002	R7109	482028	138	14.7	43.6	PILDT	DBO120		D-WWL142	47
R7002	R7109	482028	139	14.9	43.1	PILDT	DBO120		D-WWL142	47
R7002	R7109	482028	140	15.2	42.6	PILDT	DBO120		D-WWL142	47
R7002	R7109	482028	141	15.4	42.1	PILDT	DBO120		D-WWL142	47
R7002	R7109	482028	142	15.7	41.7	PILDT	DBO120		D-WWL142	47
R7002	R7109	482028	143	16	41.2	PILDT	DBO120		D-WWL142	47
R7002	R7109	482028	144	16.2	40.7	PILDT	DBO120		D-WWL142	47
R7002	R7109	482028	145	16.5	40.2	PILDT	DBO120		D-WWL142	47
R7002	R7109	482028	146	16.7	39.8	PILDT	DBO120		D-WWL142	47
R7002	R7109	482028	147	17	39.3	PILDT	DBO120		D-WWL142	47
R7002	R7109	482028	148	17.2	38.8	PILDT	DBO120		D-WWL142	47
R7002	R7109	482028	149	17.5	38.4	PILDT	DBO120		D-WWL142	47
R7002	R7109	482028	150	17.8	38	PILDT	DBO120		D-WWL142	47
R7002	R7109	482028	151	18.1	37.6	PILDT	DBO120		D-WWL142	47
R7002	R7109	482028	152	18.3	37.1	PILDT	DBO120		D-WWL142	47
R7002	R7109	482028	153	18.6	36.7	PILDT	DBO120		D-WWL142	47
R7002	R7109	482028	154	18.8	36.2	PILDT	DBO120		D-WWL142	47
R7002	R7109	482028	155	19.1	35.8	PILDT	DBO120		D-WWL142	47
R7002	R7109	482028	156	19.3	35.4	PILDT	DBO120		D-WWL142	47
R7002	R7109	482028	157	19.6	34.9	PILDT	DBO120		D-WWL142	47
R7002	R7109	482028	158	19.8	34.5	PILDT	DBO120		D-WWL142	47
R7002	R7109	482028	159	20.1	34.1	PILDT	DBO120		D-WWL142	47
R7002	R7109	482028	160	20.4	33.6	PILDT	DBO120		D-WWL142	47
R7002	R7109	482028	161	20.6	33.2	PILDT	DBO120		D-WWL142	47
R7002	R7109	482028	162	20.9	32.8	PILDT	DBO120		D-WWL142	47
R7002	R7109	482028	163	21.1	32.4	PILDT	DBO120		D-WWL142	47
R7002	R7109	482028	164	21.4	32	PILDT	DBO120		D-WWL142	47
R7002	R7109	482028	165	21.6	31.6	PILDT	DBO120		D-WWL142	47
R7002	482055	482104	160	10.2	23.5	DBI	DBO		C-482055	37
R7002	482055	482104	161	10.5	23.1	DBI	DBO		C-482055	37
R7002	482055	482104	162	10.9	22.8	DBI	DBO		C-482055	37
R7002	482055	482104	163	11.2	22.4	DBI	DBO		C-482055	37
R7002	482055	482104	164	11.5	22.1	DBI	DBO		C-482055	37
R7002	482055	482104	165	11.8	21.8	DBI	DBO		C-482055	37
R7002	482055	482104	166	12.2	21.4	DBI	DBO		C-482055	37
R7002	482055	482104	167	12.5	21.1	DBI	DBO		C-482055	37
R7002	482055	482104	168	12.8	20.7	DBI	DBO		C-482055	37
R7002	482055	482104	169	13.1	20.4	DBI	DBO		C-482055	37
R7002	482055	482104	170	13.5	20.1	DBI	DBO		C-482055	37
R7002	482055	482104	171	13.8	19.7	DBI	DBO		C-482055	37
R7002	482055	482104	172	14.1	19.4	DBI	DBO		C-482055	37
R7002	482055	482104	173	14.4	19	DBI	DBO		C-482055	37
R7002	482055	482104	174	14.8	18.7	DBI	DBO		C-482055	37
R7002	482055	482104	175	15.1	18.4	DBI	DBO		C-482055	37
R7002	482055	482104	176	15.4	18	DBI	DBO		C-482055	37
R7002	482055	482104	177	15.7	17.7	DBI	DBO		C-482055	37

Frame	Coupler	Frame adapter	Angle (°)	Deduction (mm)	Reverse angle deduction (mm)	Internal trim	External trim	Note	Jack	Jack hole center
R7002	482055	482104	178	16.1	17.4	DBI	DBO		C-482055	37
R7002	482055	482104	179	16.4	17.1	DBI	DBO		C-482055	37
R7002	482055	482104	180	16.8	16.8	DBI	DBO		C-482055	37
R7002	R7120	N/A	180	5	5	DBI	DBI		N/A	N/A
R7002	R7107	N/A	180	12	12	PILDT	PILDT		B-482031	38
R7002	R7121	N/A	180	20	20	PILDT	PILDT		N/A	N/A
R7002	R78115	N/A	180	66	66	CPILDT	CPILDT		D-VS	38



R001SM Sash Mullion
R004SQ Bead



R001SM Sash Mullion
R005SQ Bead